

**COMMERCIAL STANDARD**
**Product Specifications**

<b>Shape</b>	Round
<b>Seat Material</b>	Polypropylene
<b>Seat Form</b>	Closed front
<b>Commercial Hinge</b>	No
<b>Bolt Material</b>	Plastic
<b>Hardware Material</b>	Plastic
<b>Check Hinge</b>	No
<b>Cover</b>	Yes
<b>Custom Gasket</b>	No
<b>Color</b>	Biscuit

---

<b>Warranty</b>	1 year limited warranty
-----------------	-------------------------

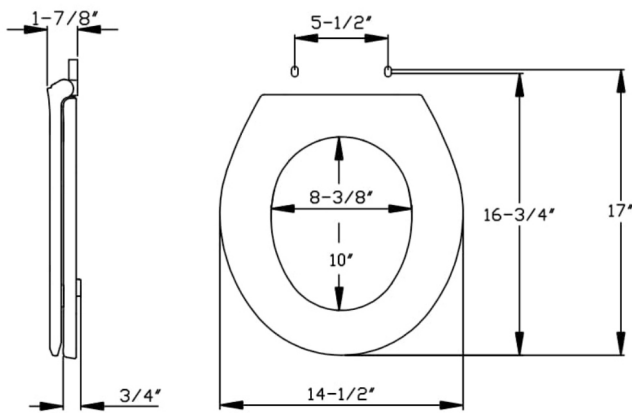
---

**Available Colors**

White, bone, crane white, biscuit, sterling silver, black,

**Features**
**Length Adjustment**

Seat can be adjusted during installation for proper fit.



Dimensions shown are nominal and may vary within a range of tolerance. Product specifications are subject to change without notice.